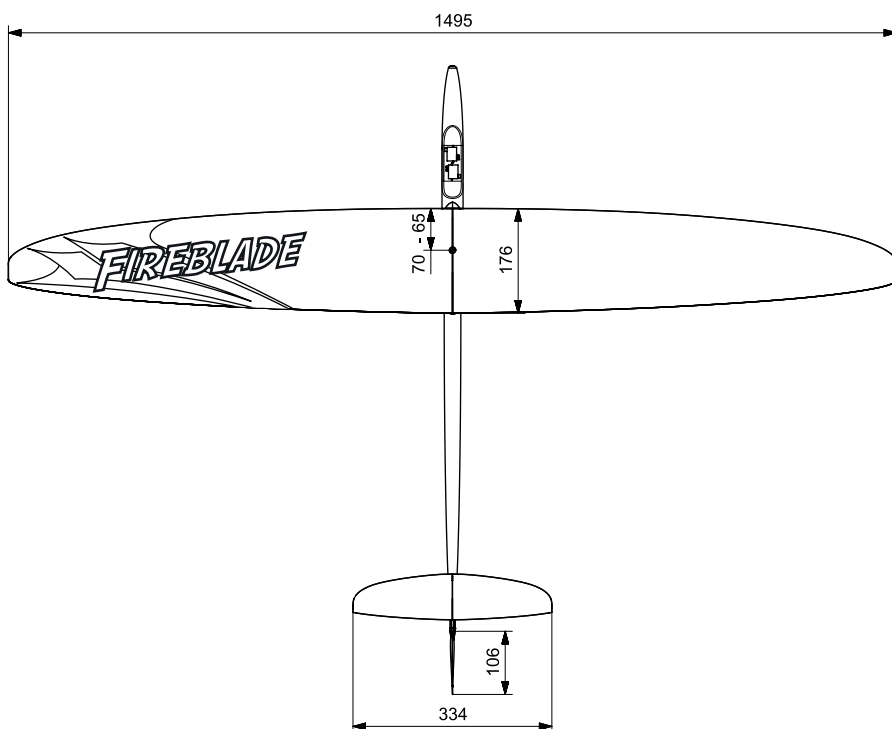
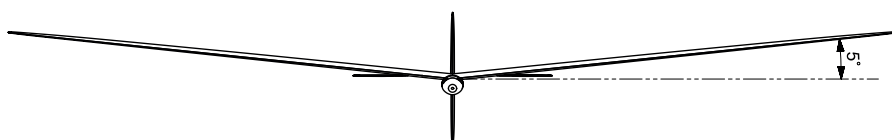
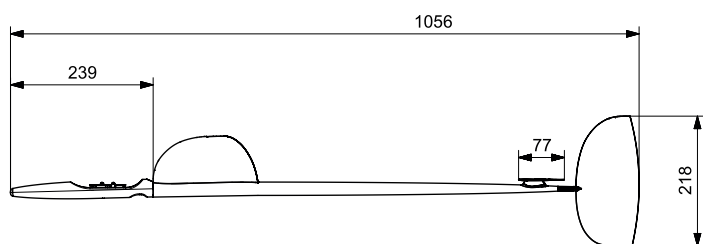


EN Center of gravity is 68 mm.

Flight phases	Ailerons(up/down)	Elevator	Flaps
Throw	10/12	+2	-2 (no wind 0)
Speed	10/12	0	-2
Normal	10/12	0	0
Thermal	15/10	0	3-12

CZ Těžiště modelu je 68 mm.

Letové fáze	Křídélka (nahoru/dolů)	Výškovka	Klapky
Hod	10/12	+2	-2 (do bezvětrí 0)
Rychlost	10/12	0	-2
Normál	10/12	0	0
Termika	15/10	0	3-12



Wing:	
Span	1495mm
Area	21,37 dm ²
AR	10,5
Airfoil	G_T ZoneV2
Dihedral angle	5°
Weight	100-160g
Loading	avg. 12,6g/dm ²
Fuselage:	
Lenght	950mm
Weight	36-45g
Horizontal Stabilizer:	
Span	334mm
Area	2,08dm ²
Airfoil	G_T Fr3ak
Weight	5-8g
Vertical Stabilizer:	
Span	218mm
Area	1,96dm ²
Airfoil	G_T Z4D
Weight	6-8g
Model:	
Weight RTF	>240g (typical 260-270g)
Weigh without EQ	
CG range	65-70mm